



Picture may vary from actual product

Power.Gate

The universal multi-talent among parking columns offers comprehensive possibilities for the ticketing sector with the most modern and diverse ticket technology. Expand your business models; become part of urban solutions. Power.Gate will support you at its best!

Marketing Terminal with Ticketing

- **Comprehensive Advertising Opportunities**
Get your equipment financed.
- **Professional Image**
A back-glowing, bright and high-resolution display effectively draws attention to logos, images and promo videos.

Efficiency Increase with Quality

- **Optimized Service Planning**
Great capacities and intelligent systems reduce your service efforts.
- **Elaborated Technology**
Touch-free RFID and barcode technology guarantee the highest level of reliability and low follow-up costs.

Your Business Card

- **High-Quality Design**
High-class materials and glowing features blend elegantly into all types of architecture.
- **Make a Lasting Impression**
Expert-optimized operational guidance for look and sound provide positive user experiences.

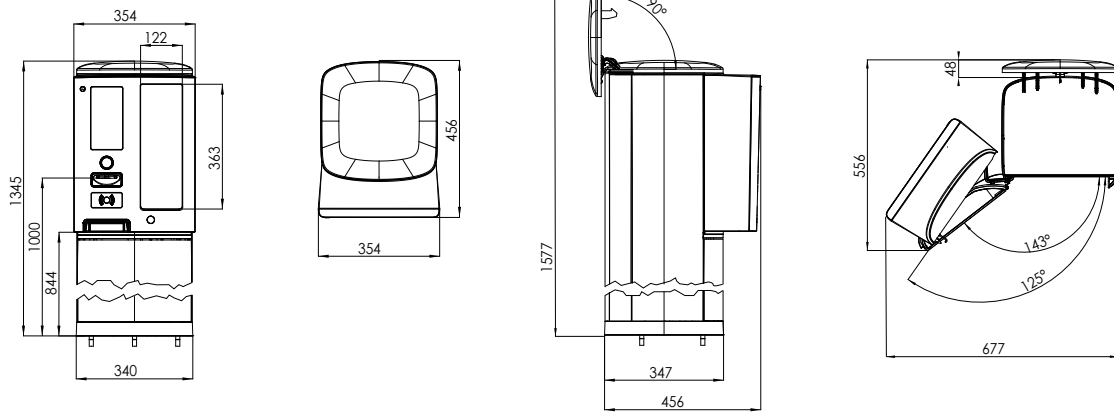
Optimize Your Investment

- **Suitable for Every Budget**
A customized solution for every application.
- **Protect Your Investment**
Future-proof due to flexible options for expansions and installations.
- **Save Money on Your Expenditures**
Smooth investment expansion and renewals thanks to the random miscibility of SKIDATA parking columns.

Save Money and Protect the Environment

- **Minimize Your Power Usage**
Situational energy saving modes and no heating above $-20\text{ }^{\circ}\text{C}$ ($-4\text{ }^{\circ}\text{F}$) stand for a high energy efficiency.
- **Recyclable Materials**
Resource-efficient due to a high degree of reusability.

all dimensions in mm



Features

Design/Construction

- Unique design based on aluminum and high-grade synthetics, complemented by optional, stylish light elements
- Modular, easy to maintain construction
- Flexible extension options ensure maximum investment protection
- Weather-proof, thanks to use of durable high-grade materials, such as aluminum
- Ethernet interface for efficient system integration
- Large installation space for add-on modules (e.g., PIN pad, credit card reader, etc.)

Operation

- Intuitive user interaction helps to ensure very high processing rates

Green Efficiency

- Optimised for low power consumption; no heating required down to -20 °C (-4 °F)
- Materials provide high degree of re-usability

Options

Design/Construction

- LED light bar serves as a stylish, illuminated eye-catcher
- Available in custom colors

Ticket Processing

- Coder Unlimited ensures flexible ticket processing
- Coder Basic enables cross-wise bar code ticket processing and punch-hole validation

- RFID module for reading and encoding 13 MHz Keycards
- Double ticket intake (up to 2 × 7000 tickets) with automatic data carrier management
- Large ticket collecting box (holds approx. 3000 tickets)
- Ticket separation ensures smooth, highly reliable ticket processing

Communication

- Analog intercom
- Integrated digital intercom (Ethernet)

Display

- Bright high-resolution graphics display ensures good readability under any light conditions; supports clear, vivid display of commercials and videos (with automatic brightness adjustment); 800 × 480 pixels
- Outdoor capable touch screen for additional Parking Column control functions (can be operated while wearing protective gloves)
- Sophisticated display modes support various applications and design options
- Illuminated control elements
- Visual and acoustic feedback provides additional user support

Accessories

- Locking system with mechanical or electronic locks, supports configurable access permissions
- Various contact and interface extensions to suit a wide range of requirements
- Heater for extremely low ambient temperatures

Technical Specifications	
Dimensions	354 mm × 1345 mm × 456 mm (B × H × T)
Weight	30 kg (without adapter base)
Operating voltage	100-240 V ±10 % / 50-60 Hz
Coding units	Coder Unlimited or Coder Basic
Operating temperature	-20 °C (-4 °F) to +50 °C (122 °F) under sun exposure
Operating temperature with additional heater	-30 °C (-22 °F) to +50 °C (122 °F) under sun exposure (mandatory with Coder)
Operating temperature with additional heater big	-40 °C (-40 °F) to +50 °C (122 °F) under sun exposure
Max. ambient humidity	90 % (non-condensing)
Support stand color	Brushed, anodized aluminum
Cover color	RAL 7037 Dusty Grey (varnished plastic)
Pedestal base color	RAL 7043 Traffic Grey (powder-coated aluminum die cast)
Panel color	RAL 7021 Black Grey (varnished plastic)
Declarations / Certifications	CE, FCC, IC, _C NRTL _{US}
Degree of protection based on IEC 60529	IP43